

rehlko



Kohler Engines
is now Rehlko

Command PRO® Gasoline Engines

4.5 – 14 hp | 3.3 – 10.5 kW

Discover the configurable solution
for all the equipment in your fleet.
Command PRO engines: the most factory options.





Built to *finish* every job it starts.

This is what it takes to be a PRO. Performance enhancing features like a heavy-duty air cleaner, forged-steel crankshaft, electronic ignition and cast-iron cylinder liner. Command PRO® is the standard for professional-grade power and performance.

Popular factory options

- 2:1 GEAR BOX (7 HP)
- 2:1 WITH CLUTCH GEAR BOX
- 6:1 GEAR BOX
- HIGH-ALTITUDE KITS
- 12-VOLT STARTER
- EXHAUST DEFLECTOR
- 3-, 10- OR 18- (9.5- AND 14-HP) AMP CHARGING
- CRANKSHAFT/PTO VARIATIONS
- NO LOAD IDLE SOLENOID FOR FUEL ECONOMY
- REMOTE THROTTLE
- CARBURETOR SHUTDOWN SOLENOID
- BALANCE SHAFT 9.5 HP
- IN-LINE FUEL FILTER
- EMC AND CANADIAN RFI STANDARDS
- EU EMISSIONS AND NOISE COMPLIANCE
- EPA PHASE III COMPLIANCE
- EXHAUST DEFLECTOR
- LOW-PROFILE AIR CLEANER
- LOW-PROFILE MUFFLER
- EXTENDED OIL FILL
- REMOTE THROTTLE
- REMOTE CHOKE
- ELECTRONIC GOVERNOR
- PULSE PUMP
- PURGE PORT FOR QUAD-CLEAN AIR CLEANER
- TRI-FUEL CAPABLE



Dependable operation

Built to last



Longer runtimes

Easier repowering

Compatible with all kinds
Of machines



All-weather performance

Command PRO®

Standard features

Quad-Clean™ Heavy-duty cyclonic air cleaner

Built-in warm-air system for winter operation

OHV Slant cylinder

Cast-iron cylinder liner

Large capacity metal fuel tank

Three fuel filters: fill neck, In-tank and carburetor inlet

Electronic ignition

Large-capacity muffler with heat shield and spark arrestor

Carb Tier 3 certified

Increased displacement

Balance Shaft (14 hp)

Dual ball bearings

Steel-forged-and-hardened crankshaft

Dual oil fills and drains

Automatic low oil engine shutdown system

Stellite®-Faced exhaust valve

Carbon canister fuel cap

Water trap to separate moisture in fuel

Swirl-induction combustion chamber

Easy-access throttle, choke and fuel shutoff

Automatic compression release

Mechanical governor

Sound-deadening alloy crankcase

Carburetor bowl drain

High-inertia flywheel

Silenced air intake

Indexable Easy-Pull™ recoil starter

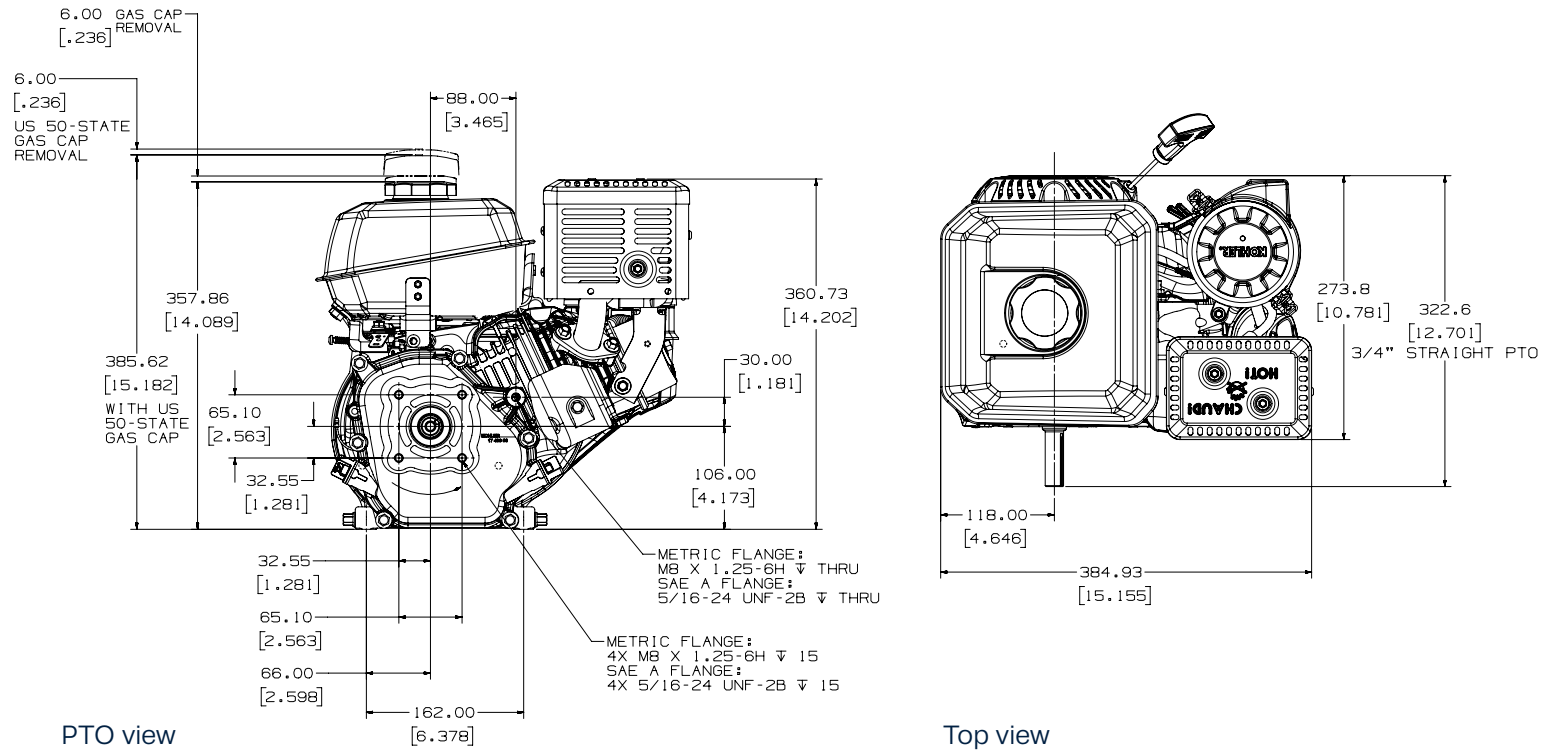
Fuel Secure™ auto fuel shutoff (Basic recoil specs only)

3-Year commercial limited Warranty



Command PRO®

4.5–5.5 HP Horizontal-Shaft Engines



PTO view

Top view

MODEL	CH245	CH255
POWER @ 3600 rpm Max.hp (kW)	4.5 (3.3)	5.5 (4.0)
DISPLACEMENT cu in (cc)	10.8 (177)	
BORE in (mm)	2.7 (68)	
STROKE in (mm)	1.9 (49)	
PEAK TORQUE @ rpm ft-lb (Nm)	7.2 (9.8) @ 2800	8.3 (11.2) @ 2800
COMPRESSION RATIO	8:5:1	
DRY WEIGHT lb (kg)	33.2 (15)	
OIL CAPACITY U.S. qt (L)	0.6 (0.6)	
LUBRICATION	SPLASH	
DIMENSIONS [†] L x W x H in (mm)	10.28 x 15.16 x 15.18 (261 x 385 x 386)	

Four-cycle, single-cylinder, overhead valve, air-cooled, gasoline, horizontal shaft, aluminum head and crankcase with cast-iron cylinder liner.

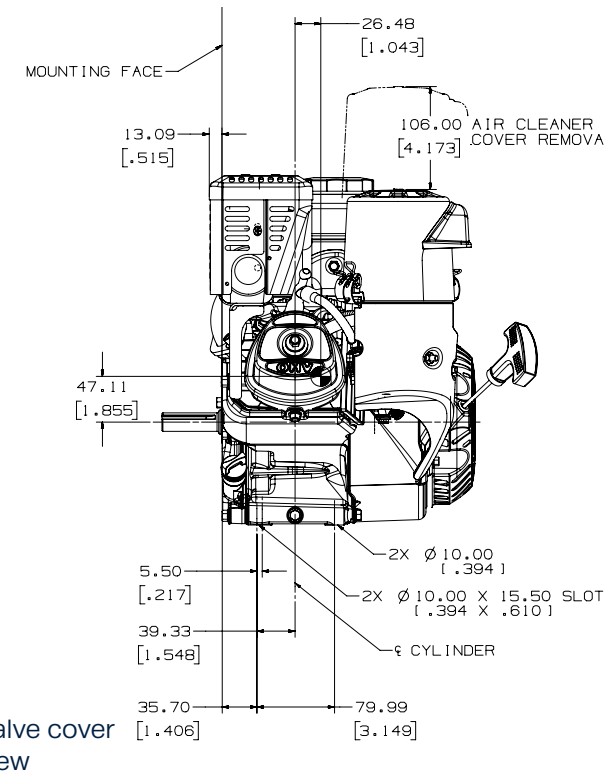
*Horsepower ratings exceed Society of Automotive Engineers Small Engine Test Code J1940. Actual engine horsepower is lower and affected by, but not limited to, accessories (air cleaner, exhaust, charging, cooling, fuel pump, etc.), application, engine speed and ambient operating conditions (temperature, humidity and altitude). For more information, contact Kohler Co. Engine Engineering. Kohler reserves the right to change product specifications, designs and equipment without notice and without incurring obligation.

[†]Length is recoil starter to PTO mounting face. Height is with the USA 50 state evap fuel cap.

[†]Length is PTO mounting face to recoil cover. Width is fuel tank to muffler. Height is from mounting surface to top of fuel cap.

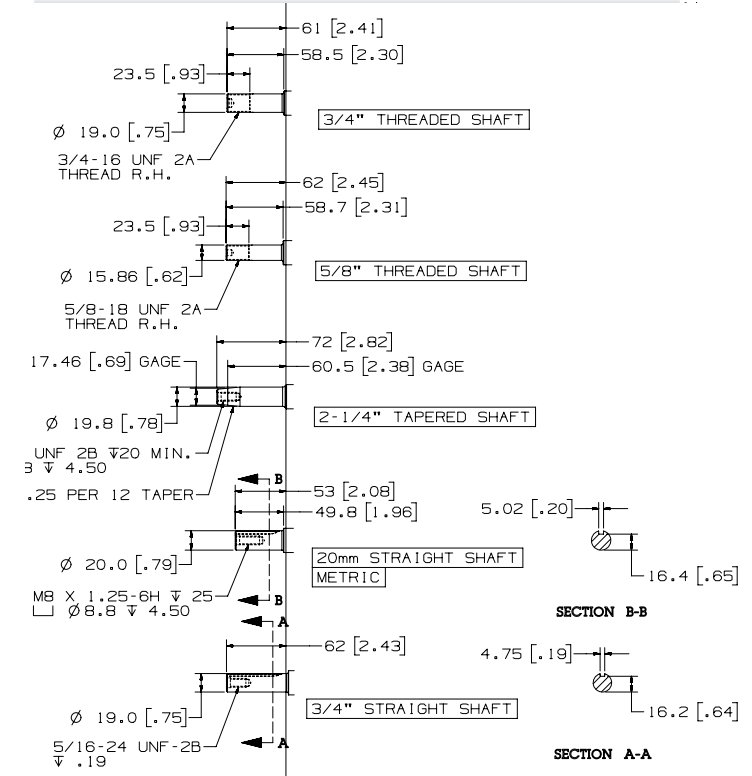
Data

Dimensions (mm)

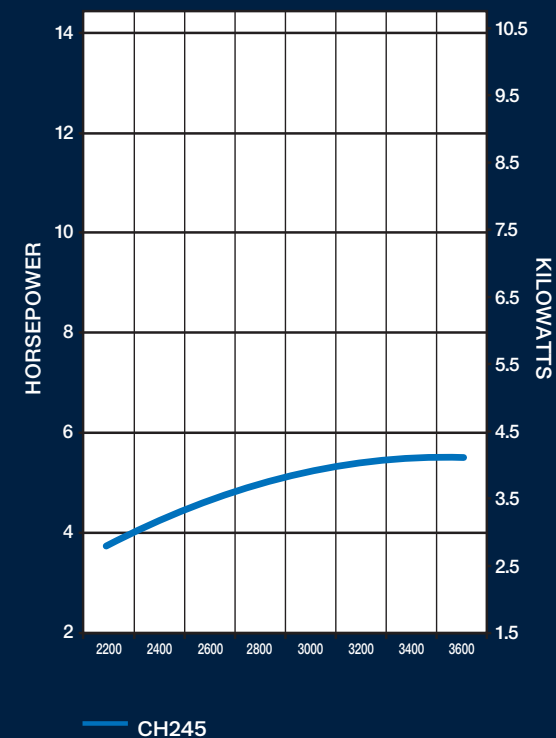


Valve cover view

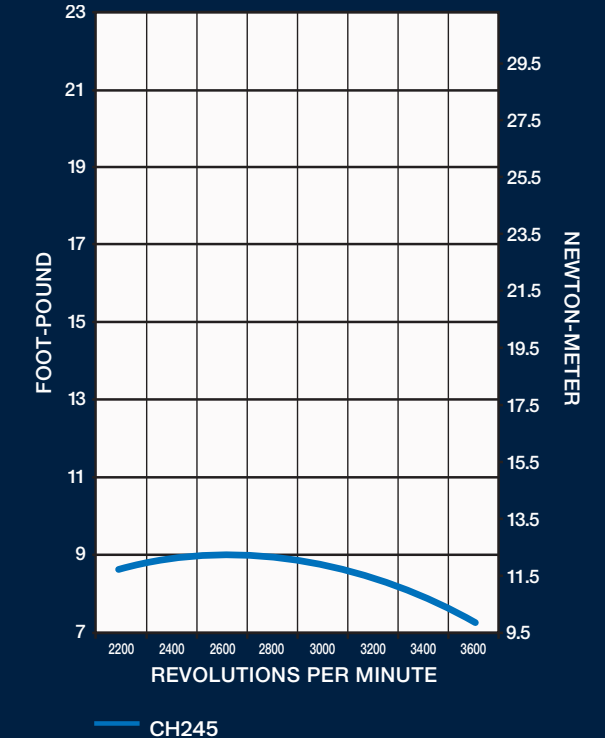
Shaft variations



Maximum power

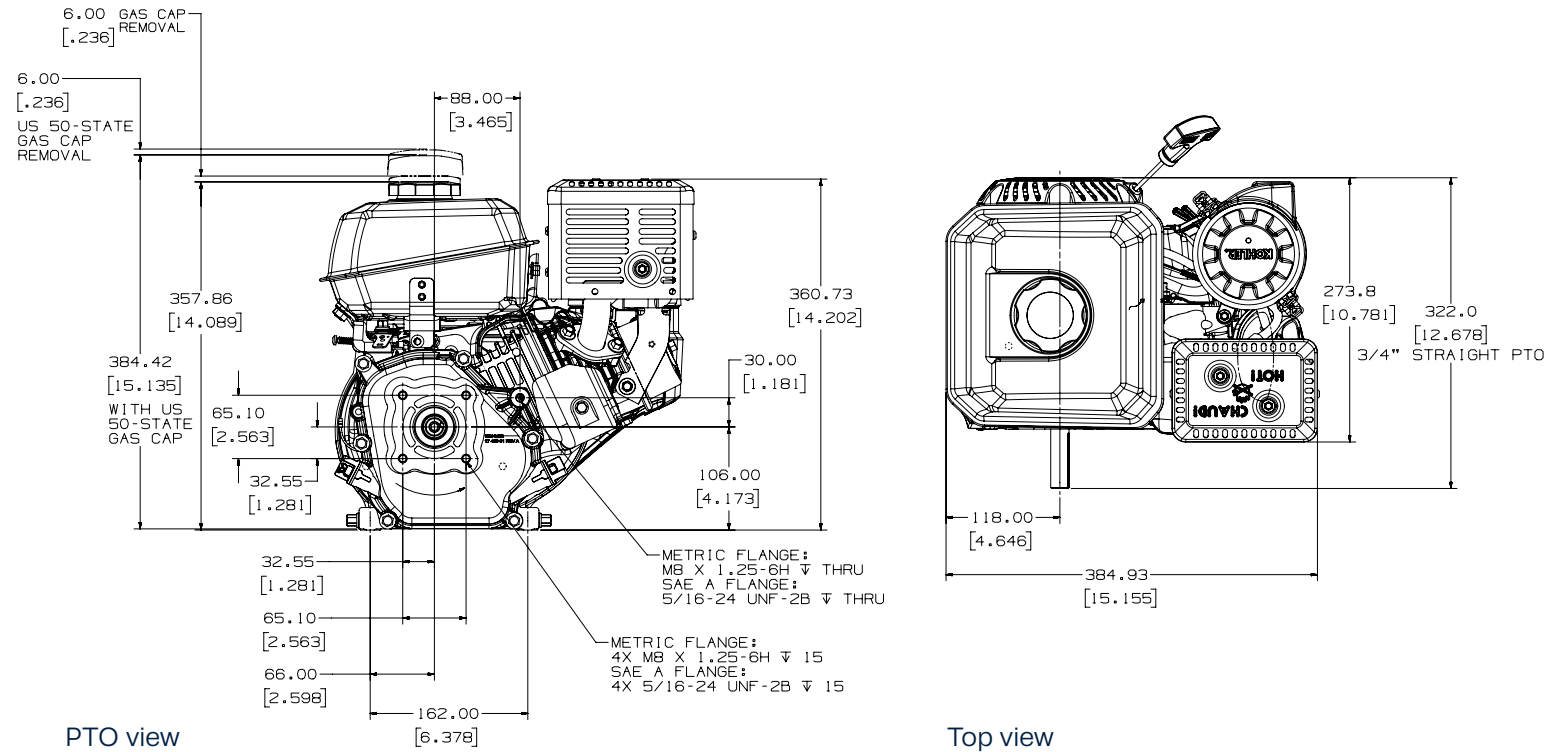


Maximum torque



Command PRO®

6-HP Horizontal Shaft Engines



Dimensions (mm)

Shaft variations

MODEL	CH260
POWER @ 3600 rpm*Max.hp (kW)	6 (4.5) @ 4000
DISPLACEMENT cu in (cc)	12.7 (208)
BORE in (mm)	2.8 (70)
STROKE in (mm)	2.1 (54)
PEAK TORQUE @ rpm ft-lb (Nm)	10.4 (14.1) @ 3000
COMPRESSION RATIO	8.8:1
DRY WEIGHT lb (kg)	38.7 (17.5)
OIL CAPACITY U.S. qt (L)	0.6 (0.6)
LUBRICATION	SPLASH
DIMENSIONS L x W x H in (mm)	10.3 X 15.2 X 15.1 (260 X 385 X 384)

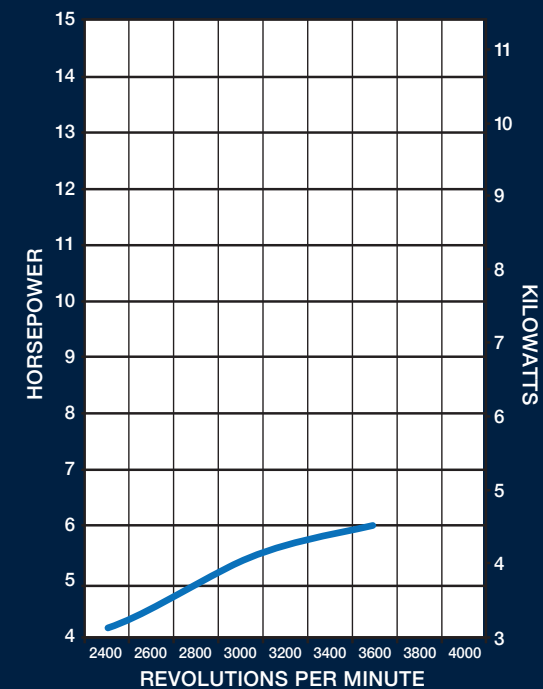
Four-cycle, single-cylinder, overhead valve, air-cooled, gasoline, horizontal shaft, aluminum head and crankcase with cast-iron cylinder liner.

*Horsepower ratings exceed Society of Automotive Engineers Small Engine Test Code J1940. Actual engine horsepower is lower and affected by, but not limited to, accessories (air cleaner, exhaust, charging, cooling, fuel pump, etc.), application, engine speed and ambient operating conditions (temperature, humidity and altitude). For more information, contact Kohler Co. Engine Engineering. Kohler reserves the right to change product specifications, designs and equipment without notice and without incurring obligation.

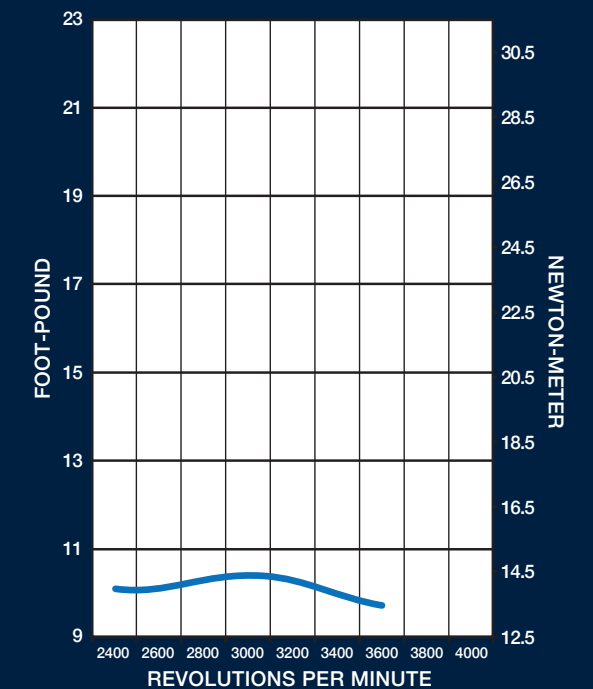
*Length is recoil starter to PTO mounting face. Height is with the USA 50 state evap fuel cap.

*Length is PTO mounting face to recoil cover. Width is fuel tank to muffler. Height is from mounting surface to top of fuel cap.

Maximum power

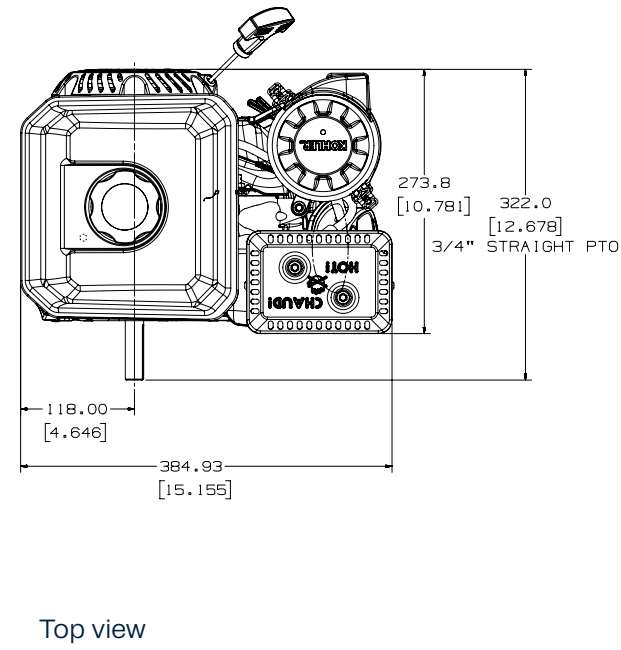
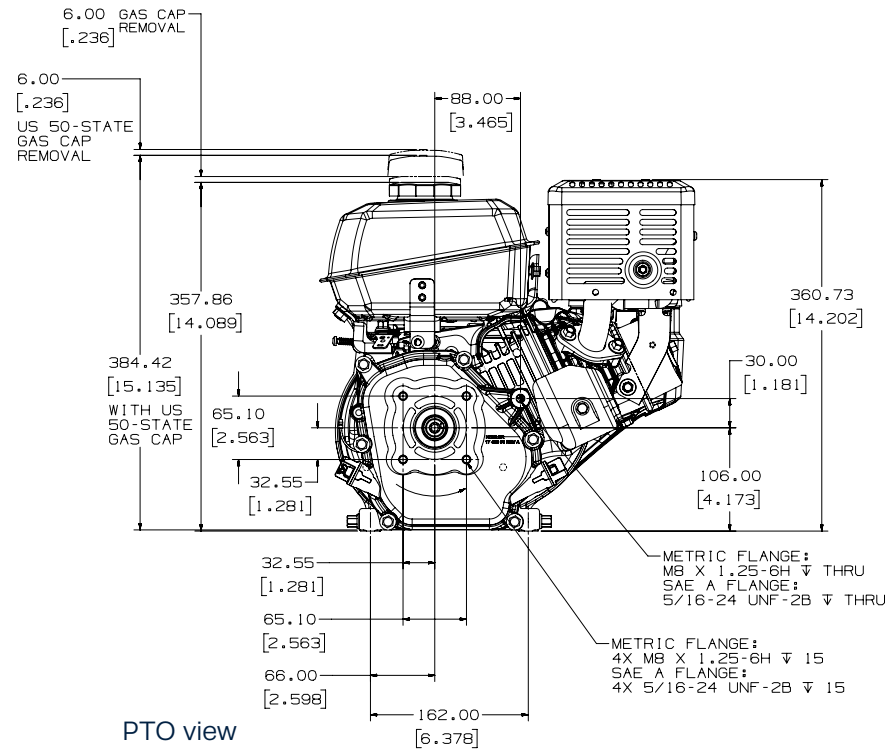


Maximum torque

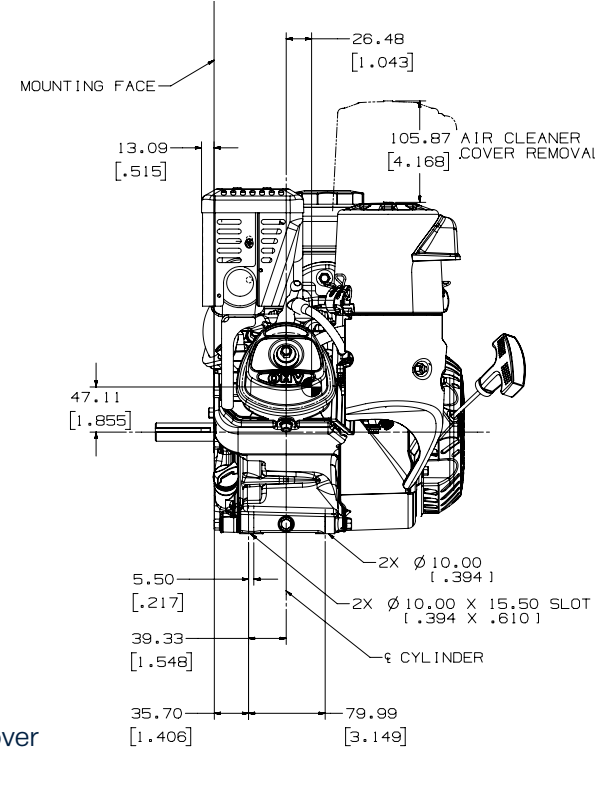


Command PRO®

7-HP Horizontal Shaft Engines

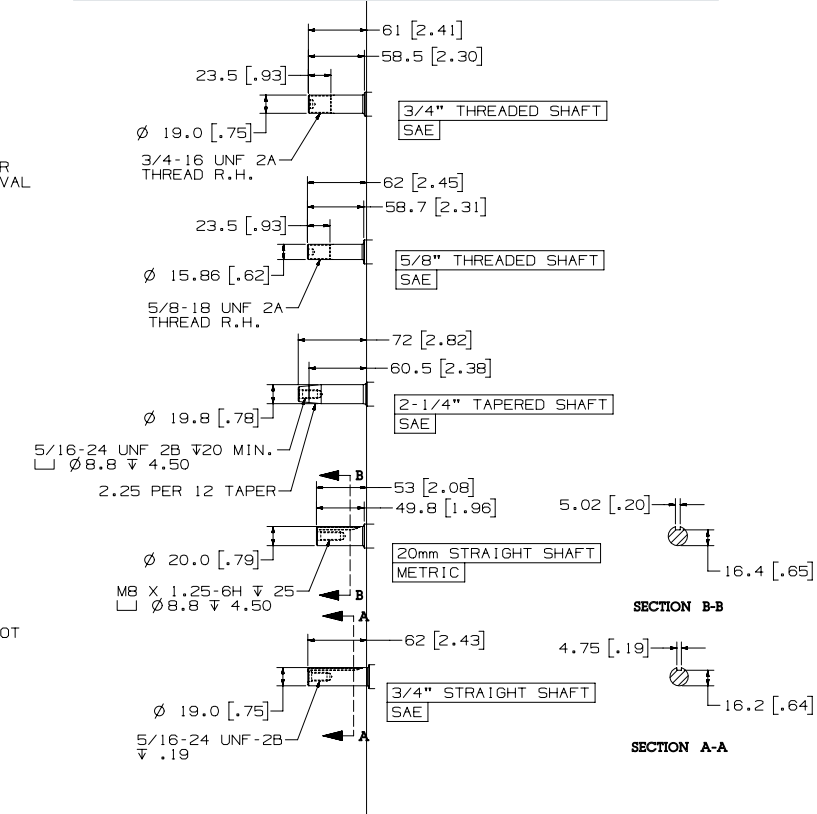


Dimensions (mm)



Valve cover view

Shaft variations



MODEL	CH270
POWER @ 3600 rpm*Max.hp (kW)	7 (5.2) @ 4000
DISPLACEMENT cu in (cc)	12.7 (208)
BORE in (mm)	2.8 (70)
STROKE in (mm)	2.1 (54)
PEAK TORQUE @ rpm ft-lb (Nm)	10.5 (14.2) @ 3000
COMPRESSION RATIO	8.8:1
DRY WEIGHT lb (kg)	38.7 (17.5)
OIL CAPACITY U.S. qt (L)	0.6 (0.6)
LUBRICATION	SPLASH
DIMENSIONS L x W x H in (mm)	10.3 X 15.2 X 15.1 (260 X 385 X 384)

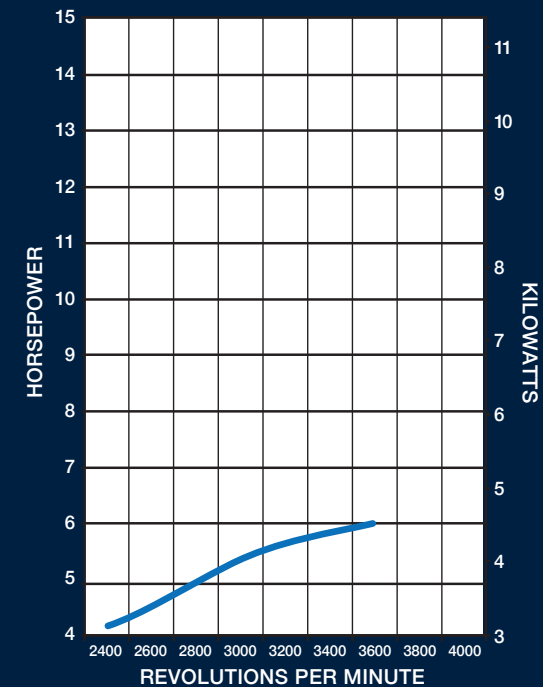
Four-cycle, single-cylinder, overhead valve, air-cooled, gasoline, horizontal shaft, aluminum head and crankcase with cast-iron cylinder liner.

*Horsepower ratings exceed Society of Automotive Engineers Small Engine Test Code J1940. Actual engine horsepower is lower and affected by, but not limited to, accessories (air cleaner, exhaust, charging, cooling, fuel pump, etc.), application, engine speed and ambient operating conditions (temperature, humidity and altitude). For more information, contact Kohler Co. Engine Engineering. Kohler reserves the right to change product specifications, designs and equipment without notice and without incurring obligation.

*Length is recoil starter to PTO mounting face. Height is with the USA 50 state evap fuel cap.

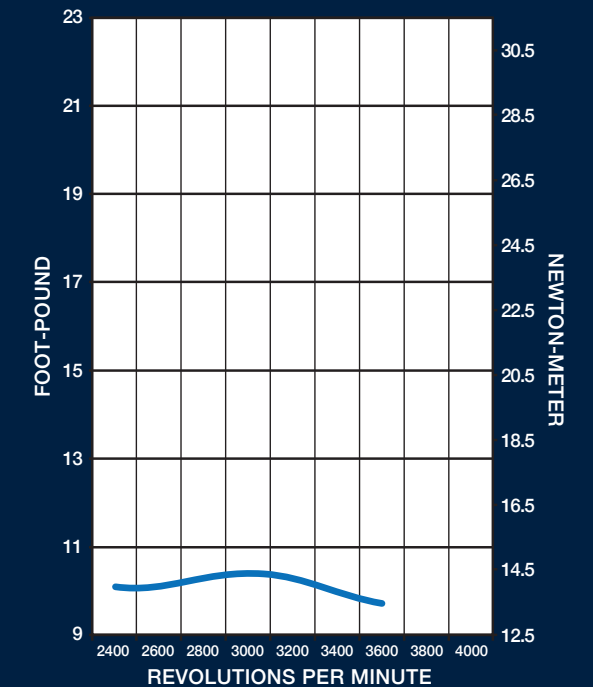
*Length is PTO mounting face to recoil cover. Width is fuel tank to muffler. Height is from mounting surface to top of fuel cap.

Maximum power



CH260

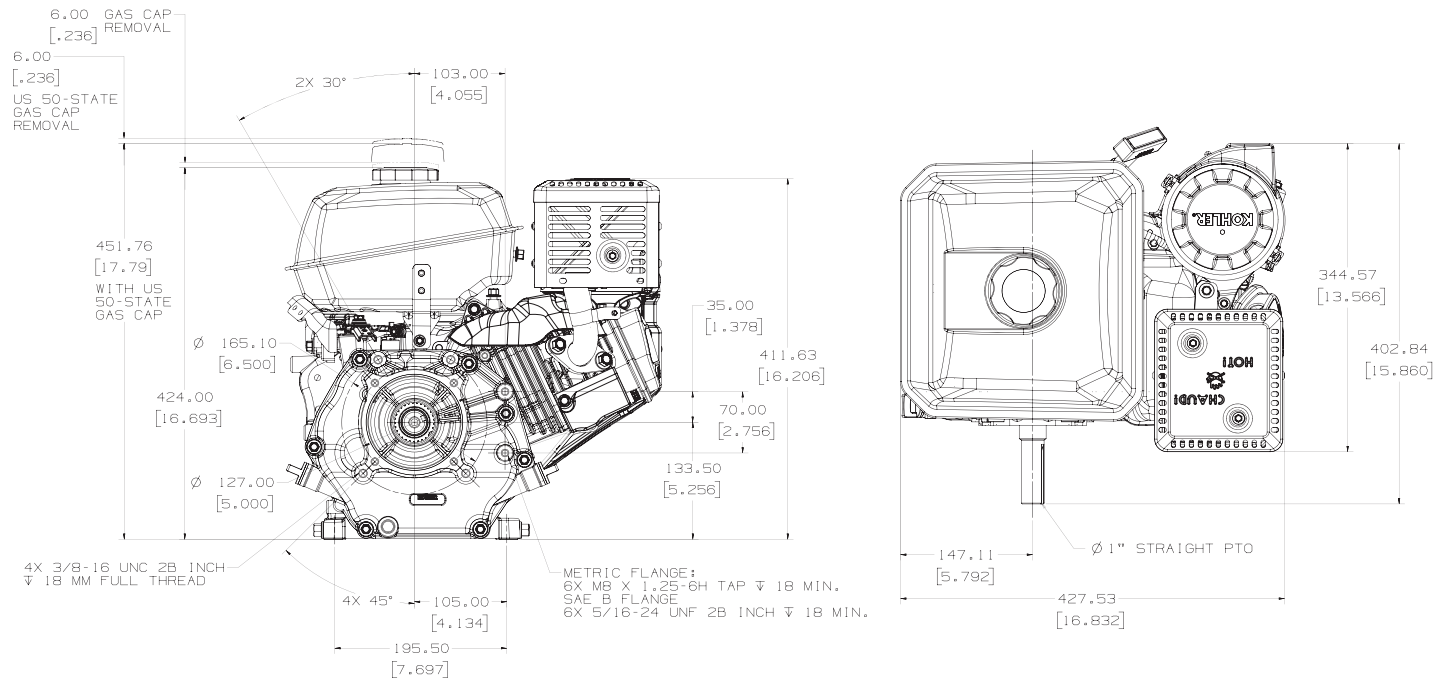
Maximum torque



CH260

Command PRO®

9.5-HP Horizontal Shaft Engines



PTO view

Top view

MODEL	CH395
POWER @ 3600 rpm*Max.hp (kW)	9.5 (7.1) @ 4000
DISPLACEMENT cu in (cc)	16.9 (277)
BORE in (mm)	3.1 (78)
STROKE in (mm)	2.3 (58)
PEAK TORQUE @ rpm ft-lb (Nm)	13.9 (18.8) @ 2800
COMPRESSION RATIO	8.8:1
DRY WEIGHT lb (kg)	61.5 (27.9)
OIL CAPACITY U.S. qt (L)	1.4 (1.3)
LUBRICATION	SPLASH
DIMENSIONS L x W x H in (mm)	12.4 X 17.8 X 16.8 (315 X 452 X 428)

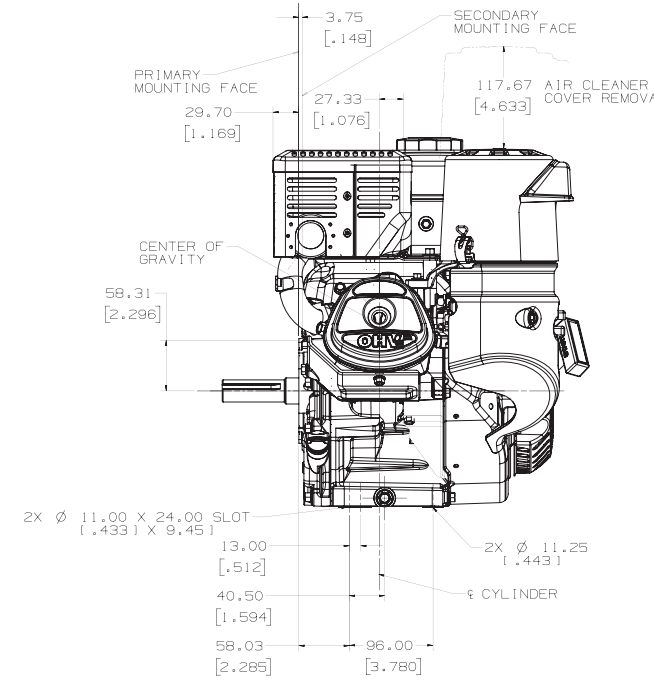
Four-cycle, single-cylinder, overhead valve, air-cooled, gasoline, horizontal shaft, aluminum head and crankcase with cast-iron cylinder liner.

*Horsepower ratings exceed Society of Automotive Engineers Small Engine Test Code J1940. Actual engine horsepower is lower and affected by, but not limited to, accessories (air cleaner, exhaust, charging, cooling, fuel pump, etc.), application, engine speed and ambient operating conditions (temperature, humidity and altitude). For more information, contact Kohler Co. Engine Engineering. Kohler reserves the right to change product specifications, designs and equipment without notice and without incurring obligation.

†Length is recoil starter to PTO mounting face. Height is with the USA 50 state evap fuel cap.

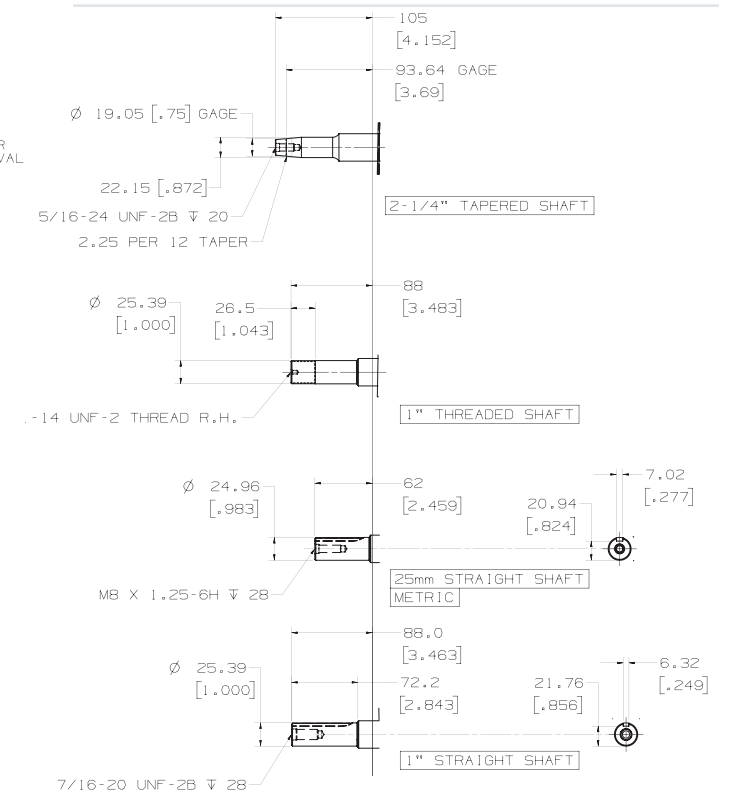
‡Length is PTO mounting face to recoil cover. Width is fuel tank to muffler. Height is from mounting surface to top of fuel cap.

Dimensions (mm)

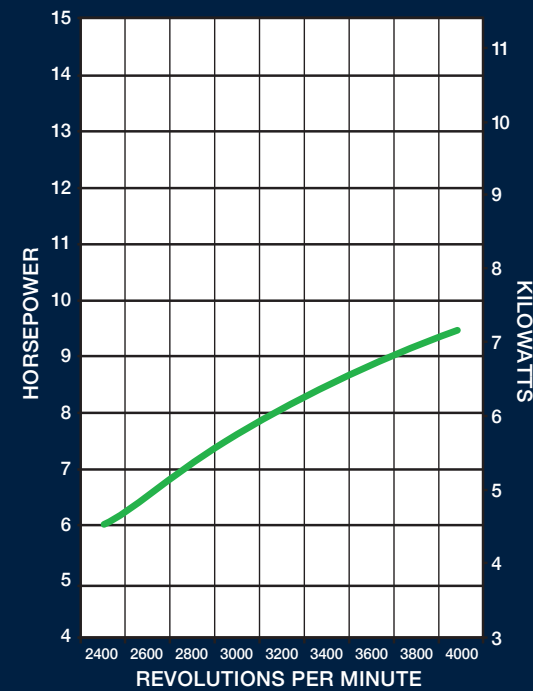


Valve cover view

Shaft variations

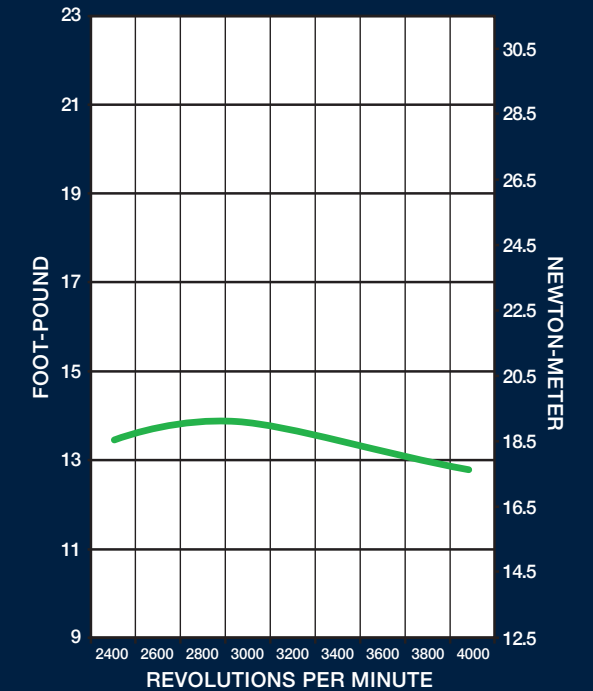


Maximum power



CH395

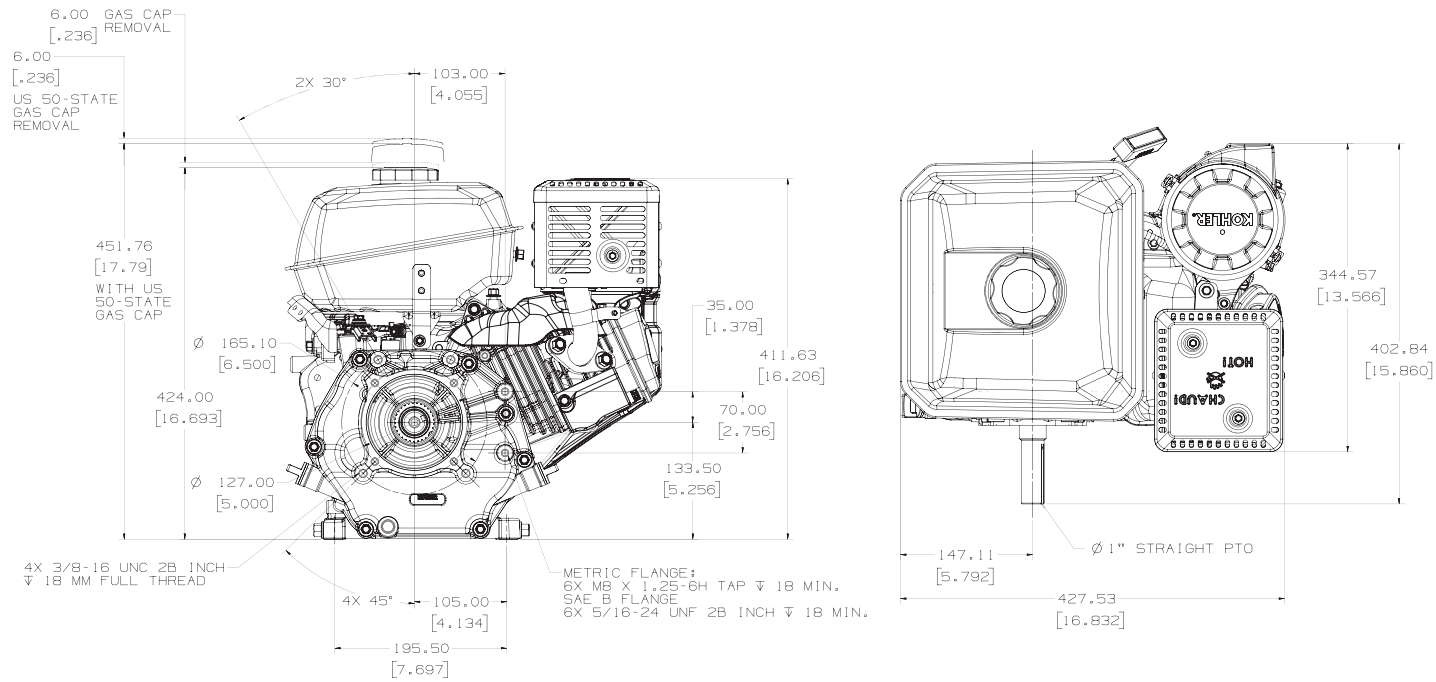
Maximum torque



CH395

Command PRO®

9.5-HP Horizontal Shaft Engines



PTO view

Top view

MODEL	CH440
POWER @ 3600 rpm*Max.hp (kW)	14 (10.5) @ 3600
DISPLACEMENT cu in (cc)	24.7 (429)
BORE in (mm)	3.5 (89)
STROKE in (mm)	2.7 (69)
PEAK TORQUE @ rpm ft-lb (Nm)	22.7 (30.8) @ 2800
COMPRESSION RATIO	8.3:1
DRY WEIGHT lb (kg)	72.8 (33.0)
OIL CAPACITY U.S. qt (L)	1.4 (1.3)
LUBRICATION	SPLASH
DIMENSIONS [†] L x W x H in (mm)	12.7 x 17.8 x 18.4 (324 x 452 x 467)

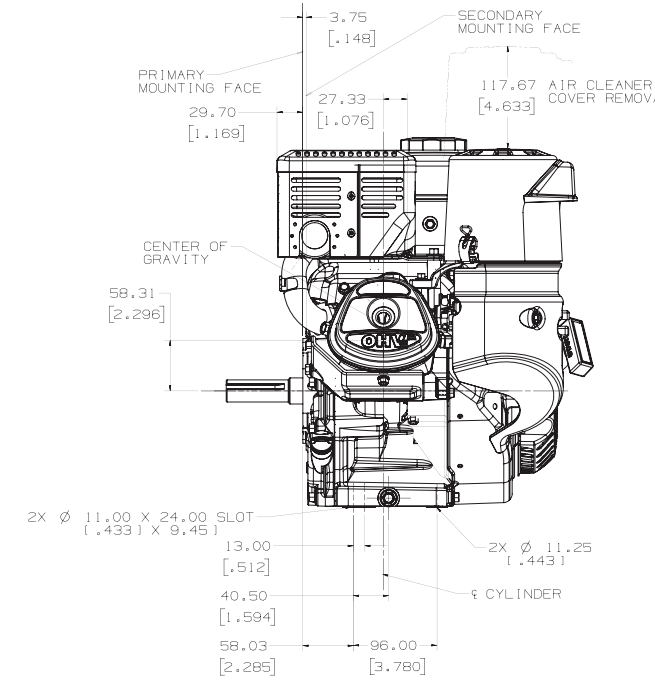
Four-cycle, single-cylinder, overhead valve, air-cooled, gasoline, horizontal shaft, aluminum head and crankcase with cast-iron cylinder liner.

*Horsepower ratings exceed Society of Automotive Engineers Small Engine Test Code J1940. Actual engine horsepower is lower and affected by, but not limited to, accessories (air cleaner, exhaust, charging, cooling, fuel pump, etc.), application, engine speed and ambient operating conditions (temperature, humidity and altitude). For more information, contact Kohler Co. Engine Engineering. Kohler reserves the right to change product specifications, designs and equipment without notice and without incurring obligation.

[†]Length is recoil starter to PTO mounting face. Height is with the USA 50 state evap fuel cap.

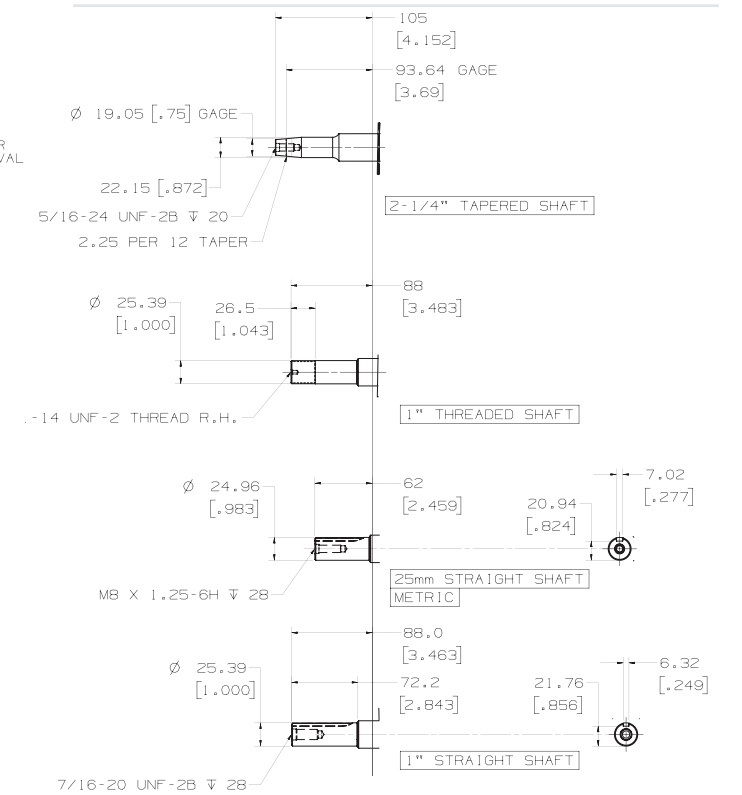
[†]Length is PTO mounting face to recoil cover. Width is fuel tank to muffler. Height is from mounting surface to top of fuel cap.

Dimensions (mm)

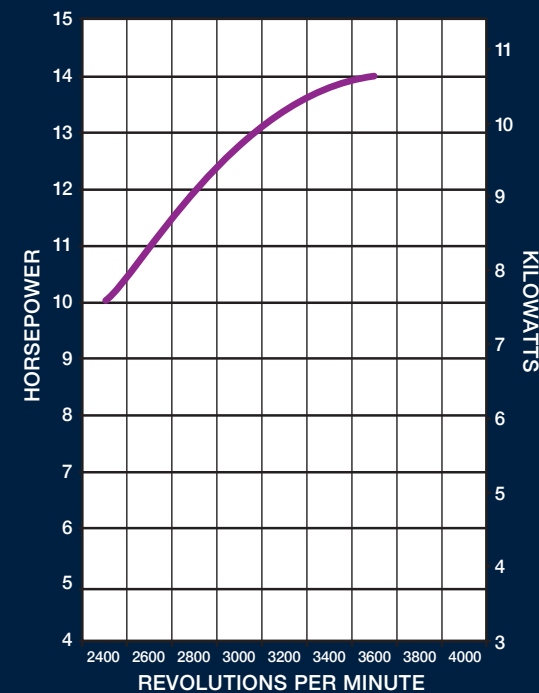


Valve cover view

Shaft variations

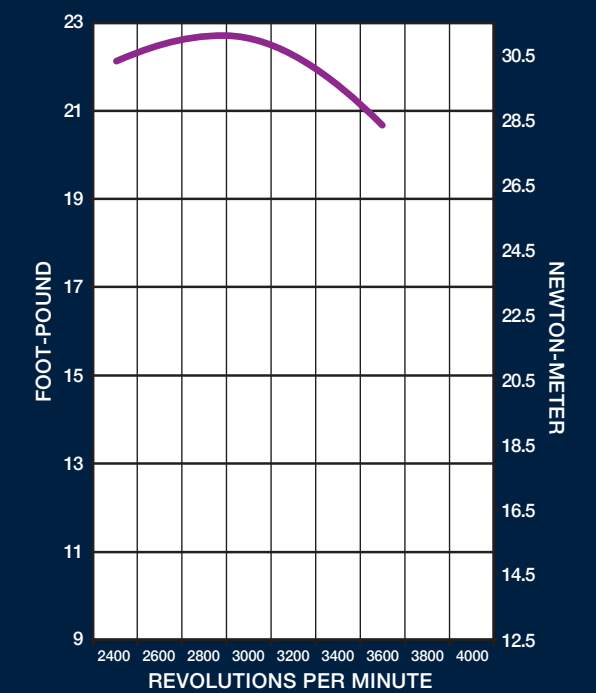


Maximum power



CH440

Maximum torque



CH440



For more information, contact your Rehko source of supply.
Discovery Energy, LLC reserves the right to make modifications without prior notice.

engines.rehko.com

Printed in Italy ED0035585800 Rev.02 12/24 Eng Discovery Energy, LLC